

4

3

2

1

D

D

C

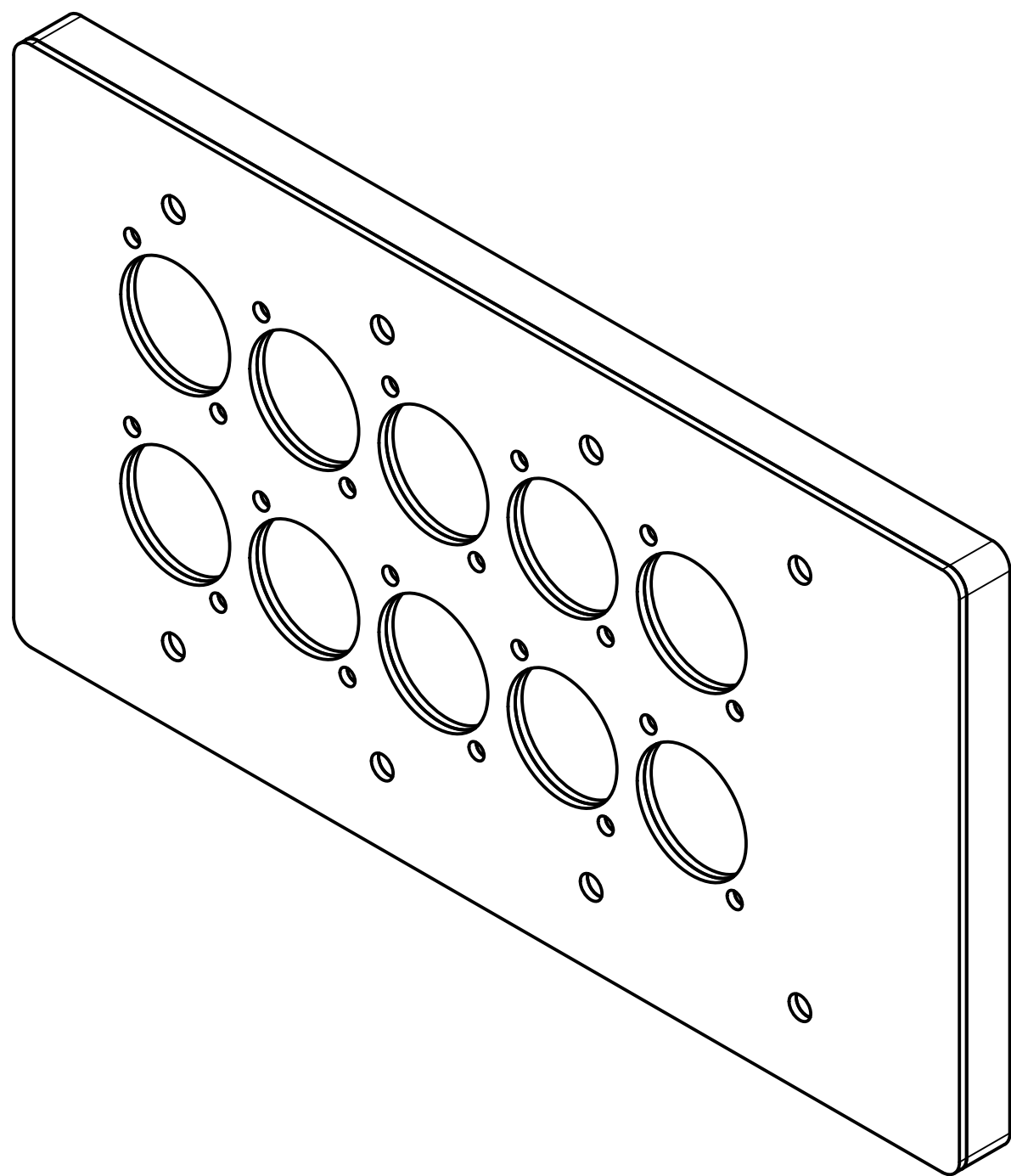
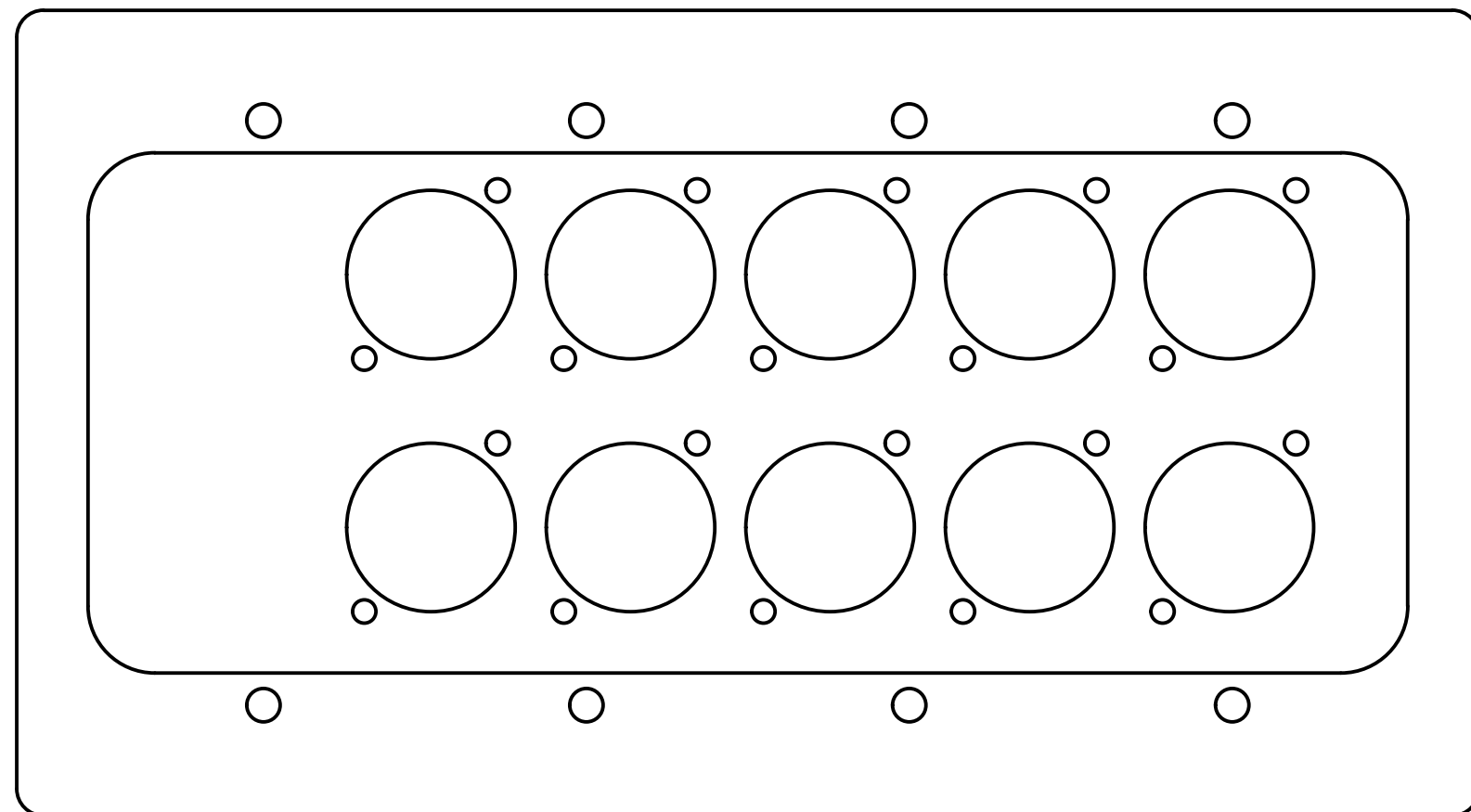
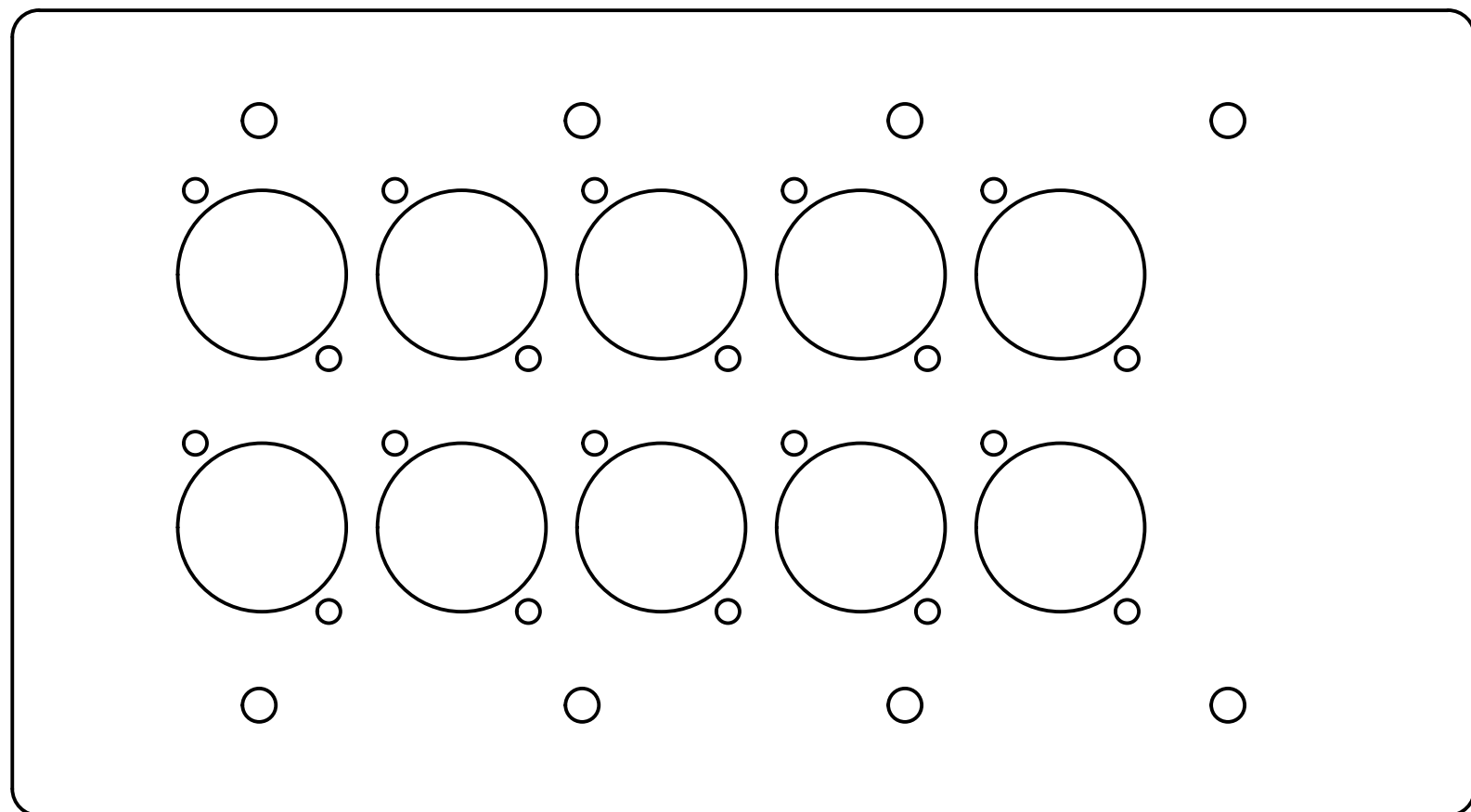
C


B

B

A

A



	PROJECT				
	Catalyst				
	TITLE				
	CXA-L-10FSR				
APPROVED	SIZE	CODE	DWG NO		REV
CHECKED	C				
DRAWN	Trey Smith	2/23/22	SCALE 1:1	WEIGHT	SHEET 1/1

4

3

2

1

